



Model Number DRC-4CPNK
DOOR CAMERA

הוראות הפעלה פנל מצלמה מקודד עם גגון



תכנות ממסר מנעול:1:

- לחץ על מקש **↵** למשך 2 שניות, יישמע ביפ ויידלק לד כחול.
- הקש קוד פתיחה ישן. (ברירת מחדל: 1234).
- לחץ על מקש **↵** למשך 2 שניות, הלד יבהב.
- הקש סיסמא חדשה (4-12 ספרות).
- לחץ על מקש **↵** למשך 2 שניות, יישמע ביפ.
- סיום תכנות.

פתיחת דלת מהפנל:

- לחץ על מספר המנעול אליו אתה רוצה לגשת (1 או 2).
- לחץ על מקש **↵**
- הקש קוד פתיחה
- לחץ על מקש **↵**, יישמע ביפ.
- הדלת פתוחה.

פתיחת דלת מהפנל:

- הרם שפורפרת במוניטור
- לחץ על לחצן צפייה בפנל (קישור בין הפנל למוניטור, פתיחת שיחה ותחילת צפייה).
- הקש לחצן פתיחת דלת 7 פעמים ברצף במשך 20 שניות, הלד יבהב.
- הקש סיסמא חדשה (4-12 ספרות), יישמע ביפ.
- סיום איפוס.

זמן ממסר:

- לחץ על מקש 3
- לחץ על מקש **↵**
- הקש קוד פתיחה
- לחץ על מקש **↵**
- הקש זמן ממסר (3-1 שניות)
- לחץ על מקש **↵** לאישור

הערה:

קוד פתיחת ממסר מנעול לא יכול להיות 1234, תחילה יש לשנות את הקוד פתיחה



כומפניקס תקשורת ואלקטרוניקה בע"מ

ברגמן 8, א.ת. סגולה, פ"ת | ספק מ. הביטחון: 83524121 | ח.פ.: 512109968

טל': 03-9049004 | www.copa.co.il | sales@companics.co.il |  03-9049004

Since 1968

COMMAX
SmartHome & Security

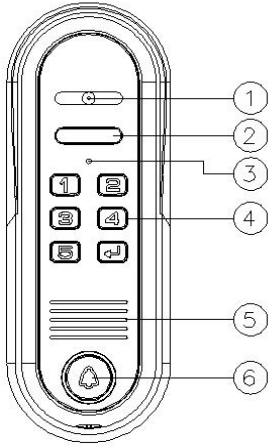
User Manual

Door Camera DRC-4CPNK

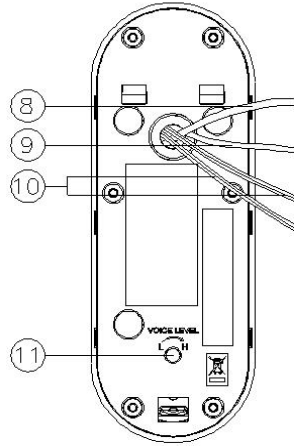


1. The names of Each Part

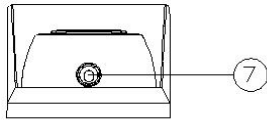
Front side



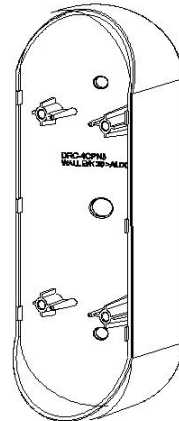
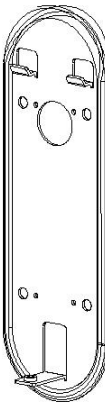
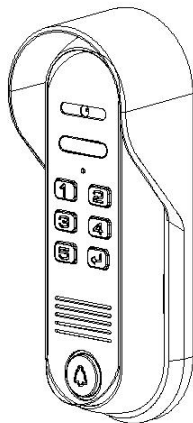
Back side



- ① Camera
- ② LED Lamp
- ③ Microphone
- ④ Key buttons
- ⑤ Speaker
- ⑥ Call Button
- ⑦ Mounting Holes
- ⑧ Monitor cable
- ⑨ DC power cable
- ⑩ Door release cable
- ⑪ Volume control



2. Package



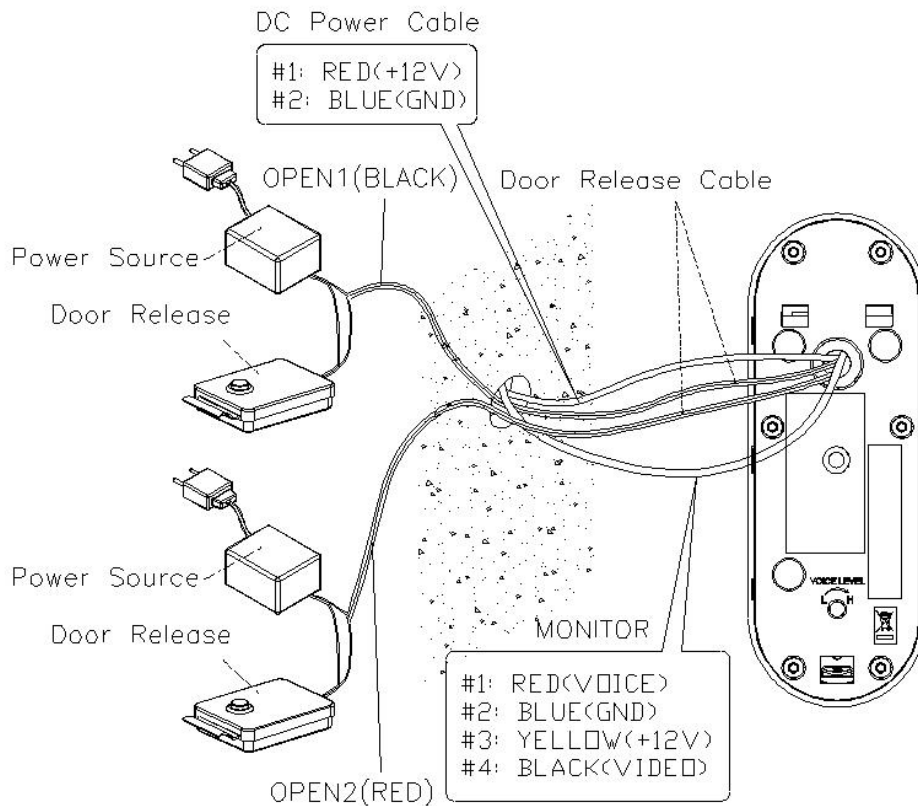
M/T HOLE CAP

SCREW PHM 3*8

SCREW LHM 4*5

SCREW LH1T 4*30

3. Wiring & Installation



[FIG-3]

1. Align holes on the wall where the unit is to be installed with mounting brackets hole and secure.

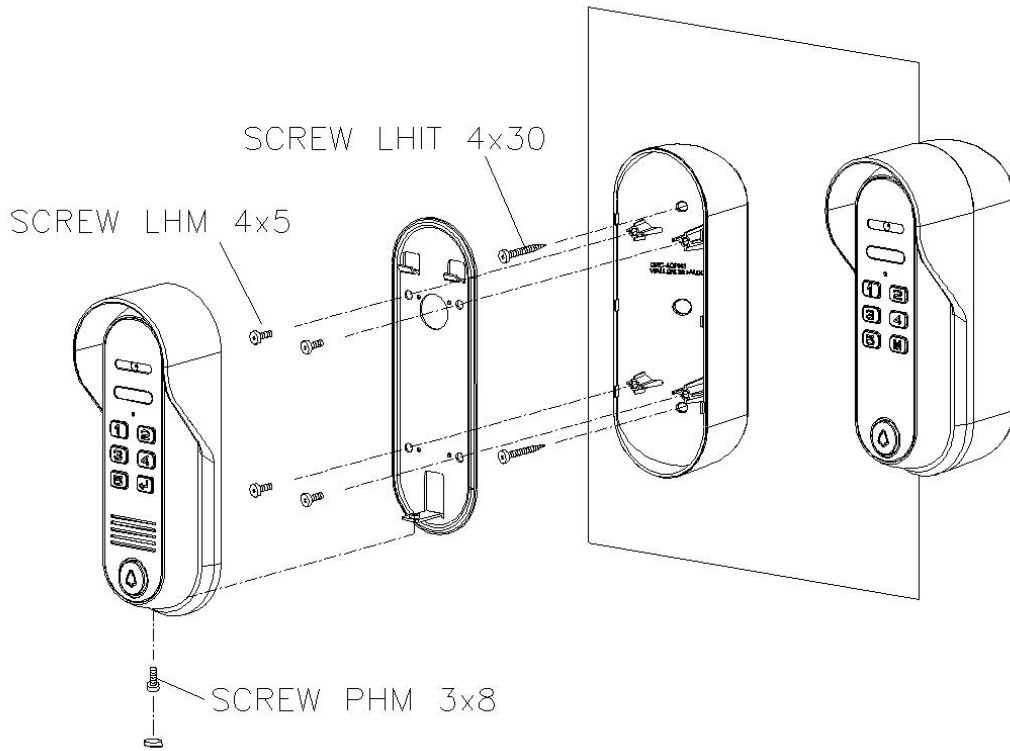
FIG-1: Install the camera at a 30° angle to the left (install the bracket in reverse to angle 30° to the right)

FIG-2: Install the camera at a perpendicular angle to the front

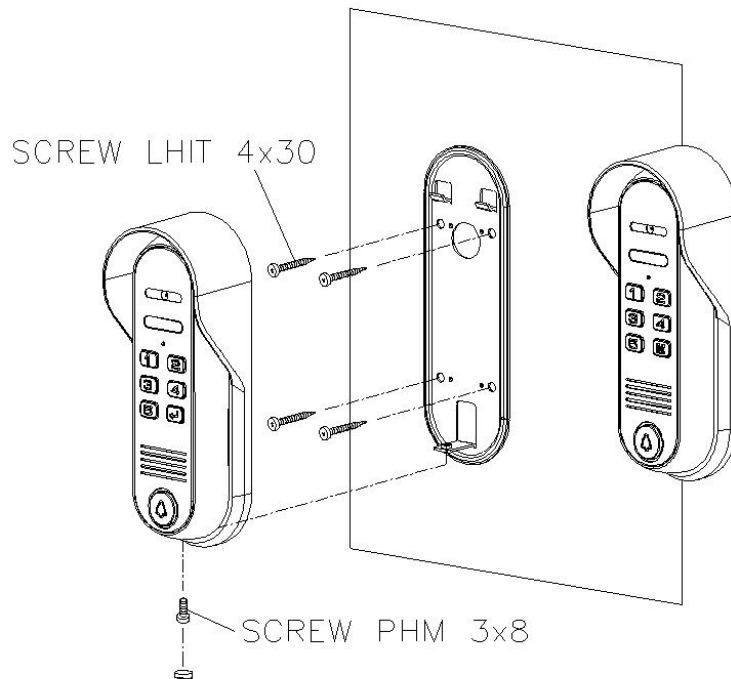
2. Wire the household monitor cables as shown below with matched polarity as picture below [FIG-3]

3. Wire the door release cable as shown in the diagram. [FIG-3]

4. Tighten using bolts and a wrench, then cover using the AL. screw covers.

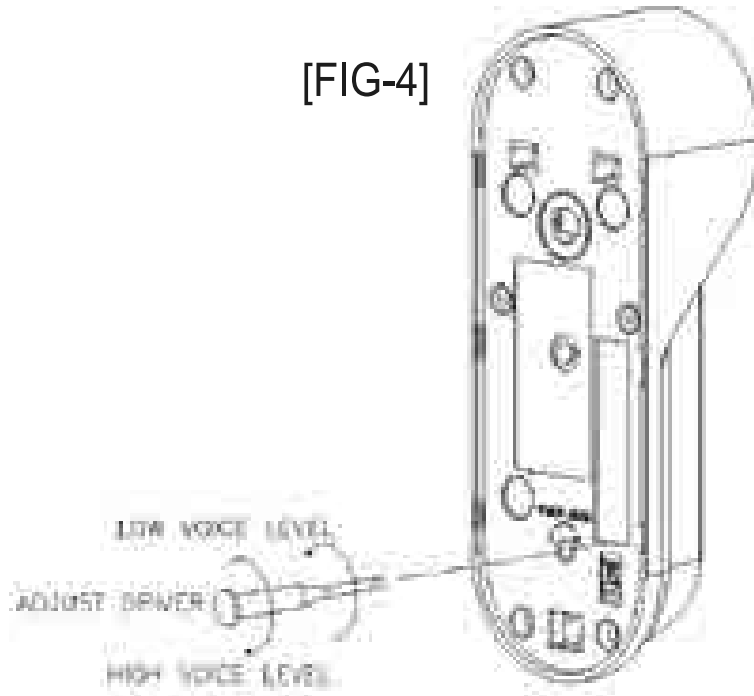


[FIG-1]

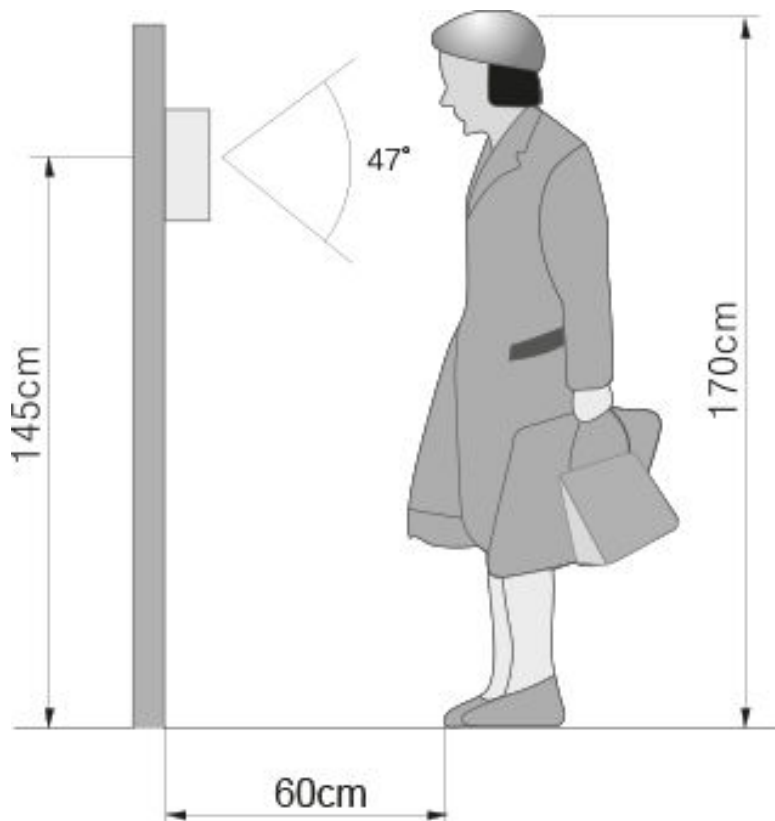


[FIG-2]

You can adju speaker volume using driver as shown below. [FIG-4]





Please refer to the below images regarding the inallation position of the product.





4. Specification

specification	Model	DRC-4CPNK	
Image Sensor	CMOS 1/3"		
Sensor Resolution	0.52 megapixel		
Power source	12V  (supplied from the Monitor)		
	12V  0.5A (Adaptor)		
Power consumption	Standby : 1W , Max : 4.2W		
Wiring(household)	Monitor 4Wires(polarity), Adaptor 2Wires(Polarity)		
Call mode	Duplex		
Camera angle	97°(D), 74°(H), 47°(V)		
Format	NTSC or PAL STANDARD		
Horizontal / vertical Frequency	15.734kHz / 60Hz or 15.625kHz / 50Hz		
Lamp	Built-in white LED (automatically turns on in night)		
Low illumination	0.1 LUX (Up to 300mm in front of the camera)		
Workable temperature	-10 °C (tested up to -40 °C) +50 °C		
Dimension(mm)	59(W) x 164(H) x 42.1(D)		
Weight(g)	445g (B/K included)		
Warranty Period	1 year		
Environment Condition	Storage Temperature	-40 °C to 50 °C	
	Storage Humidity	Less than 90 %	



5. How to open the door using keypad button

1. How to set the door open password 1-1 If you know the current password

- (1) Press ↵ button for more than 2 seconds: The beep sound is heard and LED light is on.
- (2) Enter current password (Initial value: '1234')
- (3) Press ↵ button for more than 2 seconds
→ Enter password setting mode : LED light to start blinking and new password can be set.
- (4) Enter new password: Enter the new password to use. (4 to 12 digits)
- (5) Press ↵ button for more than 2 seconds: After beep sound, password has been changed.

1-2 If you forget your current password (It can be used when connected household monitor)

- (1) Repeat pushing door open button on household monitor more than 7 times quickly.
(in less than 20 seconds)

Enter password setting mode : LED light to start blinking and new password can be set.

(Caution: To prevent malfunction, please do not repeat pushing door open button normally.)

- (2) → Enter new password: Enter the new password to use. (4 to 12 digits)
- (3) Press ↵ button for more than 2 seconds: After beep sound, password has been changed.

* Cautions *

- Please set the password after installation. (Initial password can not be used.)
(For security reasons, 1234 and 4321 can not be set as the password.)
- If you enter wrong password, the setting mode is ended with a failure sound. (toot-toot)
- The setting mode is ended when there is no password input on household monitor for 1 minute after entering the password input mode.
- The setting mode is ended when there is no additional input for 20 seconds during input.
(Even if you press ↵ button during password setting, it can not be saved and only the number is recognized and saved.)

2. How to open door using password

2- 1. Lock 1 open : '1' + ↵ + Password + ↵

→ Exit the mode after opening the 1st door lock with the door opening sound. (Tu-ru-ru)

2- 2. Lock 2 open : '2' + ↵ + Password + ↵

→ Exit the mode after opening the 2nd door lock with the door opening sound. (Tu-ru-ru)

* Cautions *

- If the door open button of household monitor is pushed when using password, the operation is canceled.
- If the power of the camera is cut off due to black-out or other reasons, the door will not open. Please prepare a separate emergency key in case of emergency.