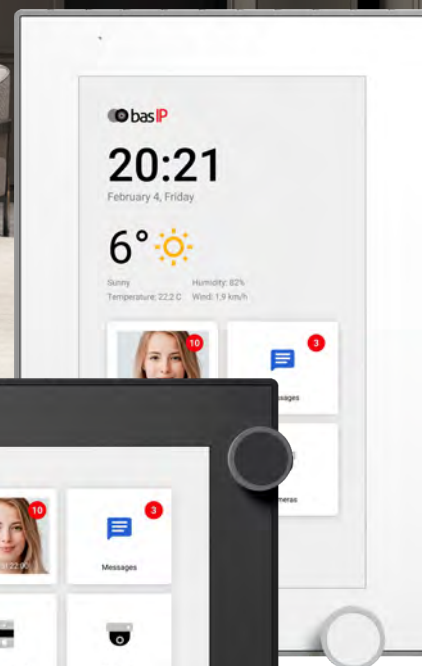




AZ-07LF

IP INDOOR VIDEO ENTRY PHONE



Description

7" IP video indoor monitor with overhead horizontal and vertical mounting options, the ability to control the lift, display messages from the management company, PoE, connection of 32 cameras, memory for photos/videos and an autoresponder. OS - Android 10.0.








Specifications

Display	7" IPS LCD (capacitive touchscreen)
Screen resolution	1024 x 600
Built-in camera	No
Power	PoE and + 12 V DC (PSU not included)
Power consumption	6 W, standby 2.5 W
Dimensions	195 x 127 x 27 mm
Colors	Black / White
Body	Plastic
Installation Type	Wall mount
Mounting options	Horizontal and vertical

Possibilities of connection

Network connection	Ethernet wire 8P8C or Wi-Fi IEEE 802.11 2.4G (b/g/n)
Number of individual panels	Up to 9 panels
Number of multi-apartment panels	Up to 9 panels
Connection of additional monitors	Up to 8 monitors
Additional connectors	SD card slot (SDHC)
Memory function	Record photo, video and audio to SD card
Interface	Multi-language graphical and WEB interface
Number of IP cameras	Up to 32 cameras

Main features

 7" IPS LCD touch screen	 Quad splitter
 Android OS	 Slot for SD card
 Lift call	 Wi-fi connection
 Concierge call	 Third-party widget support
 Downloading custom MP3 ringtones	 Software update via Ethernet
 High definition video support	 Horizontal and vertical mounting options

Functional capabilities

Number of call ringtones
 Download custom MP3 ringtones
 Intercom type
 Home automation control
 Scene
 Answering machine
 Support of receiving messages
 Multimedia features
 Standby mode

Select the type of screensaver
 in standby mode

Do Not Disturb
 Silent mode
 Backup photos taken during the call
 Ability to install third-party applications
 Support for third-party widgets

Software update

9 melodies to choose
 Yes
 Audio Intercom, no built-in camera
 Light / curtains / lift
 Yes
 Yes
 Yes
 View video, photo and audio files from an SD card
 Yes, customizable by time

Multi-camera live viewing — up to IP 4 cameras
 at the same time
 Clock
 Photo frame
 Live tour view — up to 16 cameras, time adjustable
 Single IP camera live viewing.

Yes, customizable by time
 Yes, customizable by time
 Yes
 Yes
 Yes

From the web interface
 From SD card
 From BAS-IP updates server

Color variations



BLACK

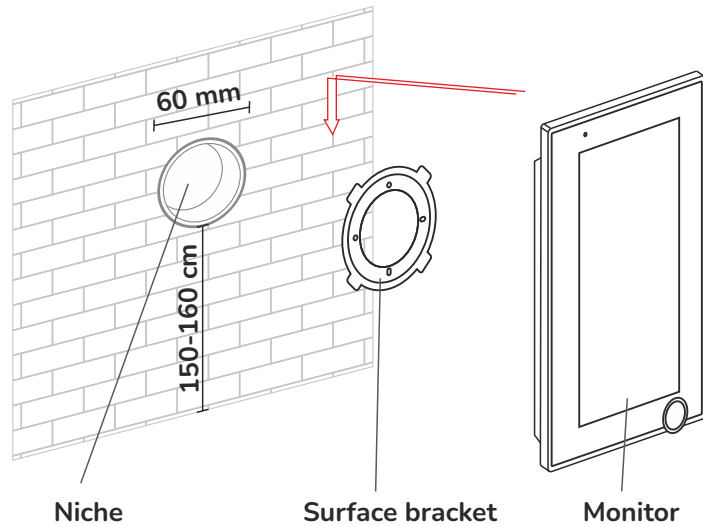
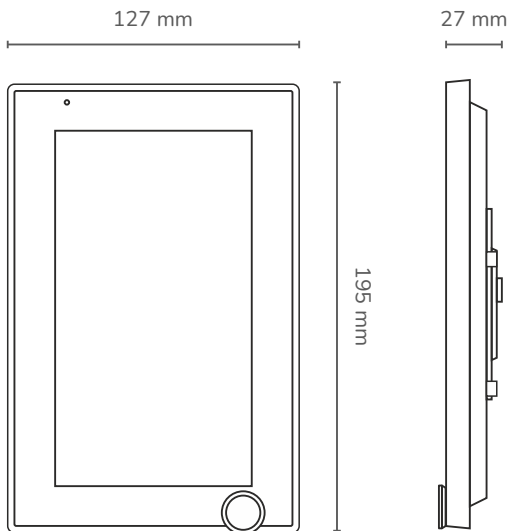
Horizontal and vertical
 mounting options



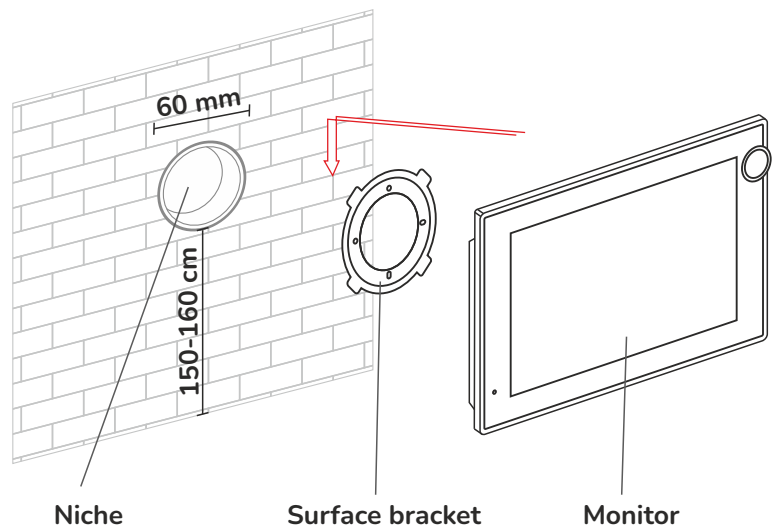
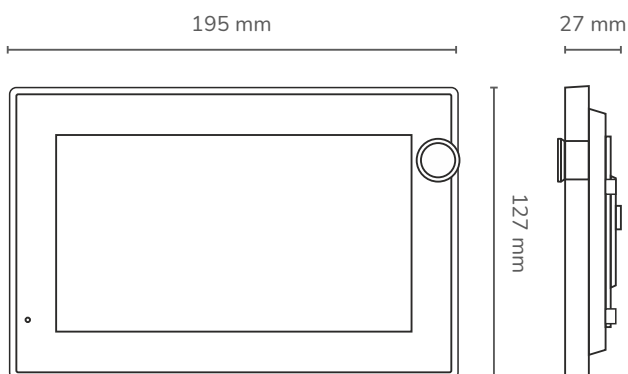
WHITE

Horizontal and vertical
 mounting options

Appearance and mechanical mounting



Vertical mounting



Horizontal mounting