

Model Number: 73010C

Electrical Pop-Up Junction Box including Lighting/App/Bluetooth

Features:

- IP65 waterproof, tempered glass panel
- Qi wireless charging
- Three levels of adjustable brightness led night lamp
- Bluetooth speaker
- Pluggable power on all sides touch control
- Wifi remote control device, intelligent voice control, glass panel touch control
- Anti-pinch lifting device, child safety lock

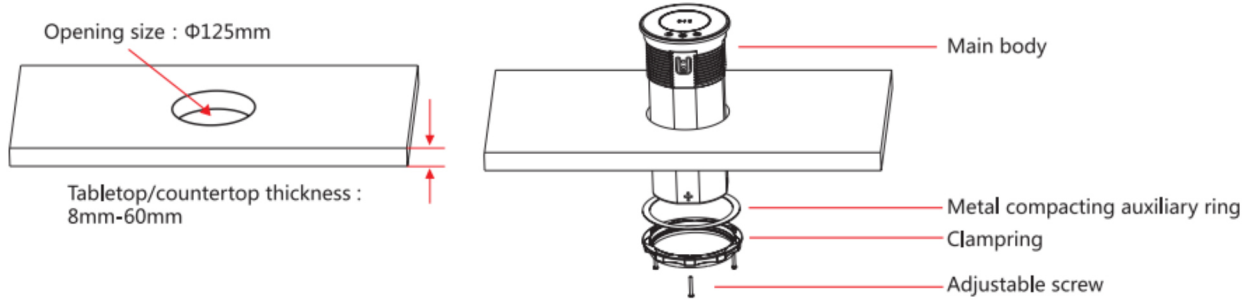


[לצפייה באתר לחץ כאן](#)

Specifications:

Product	Electrical Pop-Up Junction Box including Lighting/App/Bluetooth		
Model	14261	14262	14263
Variation	LED	LED +WiFi	LED +WiFi+ BLE Speaker
Dimension over the table	96mm		141mm
Dimension under the table	181mm		226mm
Input Voltage	110V-250V~50Hz-60Hz		
Rated output	10A 13A 15A 16A USB output: DC18W		
Wireless charging	QI/15W		
IP rating	IP65		
Flame retardant rating	UL/VO		
Ambient temperature	20°C ~ +50°C		
Open hole dia	@125mm		
Tabletop/countertop thickness	8mm-60mm		
Dimension Diameter	Ø 136mm		

Installation Diagram:



Installation steps:

- 1, Open the hole according to requested size
- 2, Put the main body in the hole from above
- 3, Install the metal compacting auxiliary ring from below
- 4, Install the clamp ring from below
- 5, Adjust the length of the three screws on the clamp ring according to the actual installation requirements

