

## Model Number 10068

### 70M HDMI KVM Point to Point Extender 4K@30Hz

#### Description:

This HDMI™ KVM Extender includes a transmitter and a receiver, allows the HDMI™ signal to be transmitted up to 70 meters at 1080p resolution using a Cat6/6A/7 network cable. It adopts a point-to-point connection configuration, supports KVM. It is perfect for outdoor advertising, monitor system, home entertainment, conference, etc.



[לצפייה באתר לחץ כאן](#)

#### Features:

- Zero latency.
- Support up to 4K@30Hz resolution.
- Support CAT6/6A/7 network cables, 1080p@60Hz transmission distance is up to 70meters, 4K@30Hz transmission distance is up to 40 meters.
- Support KVM function.
- Support HDR10.
- Lighting protection, surge protection, ESD protection.
- Automatically adjusts parameters to match different network cables and achieve the best display performance.



## Specifications:

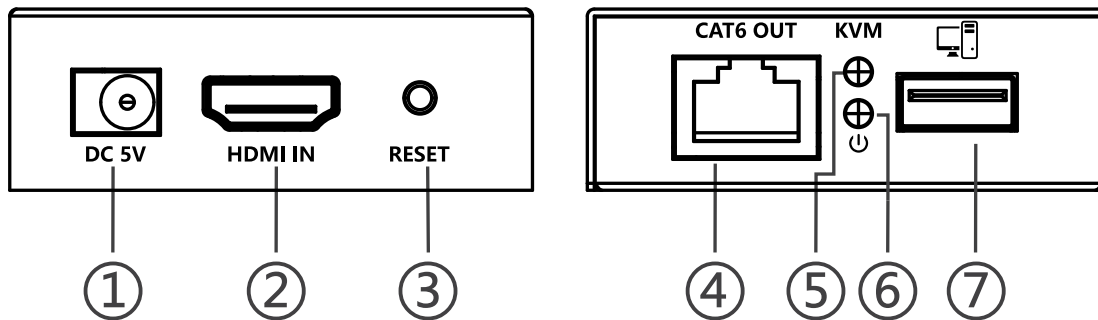
Item	70M HDMI KVM Point to Point Extender 4K@30Hz	
Model	10068	
Technical	Transmitter	Receiver
<b>Video Signal</b>		
Transmission medium	CAT6/6A/7	
HDMI Cable	3-5m	
Max Transmission Rate	10.2Gbps	
HDR10	Support	
EDID through	Support	
KVM	Support	
Input and output TMDS signal	0.7~1.2Vp-p(TMDS)	
Input and output DDC signal	5Vp-p(TTL)	
Compatibility	HDMI 1.4	
	HDCP 1.4	
Resolution	"800x600, 1024x768, 1280x720,1280x960, 1366x768, 1440x900,1680x1050, 1920x1080, 480i@60Hz, 480p@60Hz, 576i@50Hz,576p@50Hz, 720p@50/60Hz,1080i@50/60Hz, 1080p@24/25/30/50/60Hz,3840x2160@24/25/30Hz"	
Distance	CAT6/6A/7	1080p@60Hz transmission 70m
		4K@30Hz transmission 40m
<b>Audio Signal</b>		
Formats	DTS, DTS-HD, PCM, LPCM	
<b>Control Signal</b>		
IR Interface	1x3.5mm IR OUT, Female	1x3.5mm IR IN, Female
Range	< 5m	
Frequency	DTS, DTS-HD, PCM, LPCM	



Technical	Transmitter	Receiver
<b>Power Supply</b>		
Interface	1xDC5V_2.1 jack, without thread	
Voltage	DC5V/1A	DC5V/1A
Working Power	< 3W	< 3W
<b>Operating Environment</b>		
Operating Temperature	-20 ~ 60°C	
Storage Temperature	-30 ~ 70°C	
Humidity	0 ~ 90%(No Condensation)	
<b>Physical Properties</b>		
Input	DC2.1×1, HDMI×1 · USB-A x1	
Output	RJ45 ×1	HDMI×1
Material	Iron	
Weight	123g	125g
Color	Black	
Size	TX: 75.0(L) x 60.0(W) x 20(H) mm	RX: 75.0(L) x 60.0(W) x 20(H) mm
Static Protection	"Implementation of the standard: IEC61000-4-2 1a Contact discharge level 2 ( ±4KV ) 1b Air discharge level 3 (±8KV)"	
Certification	FCC/CE/RoHS	

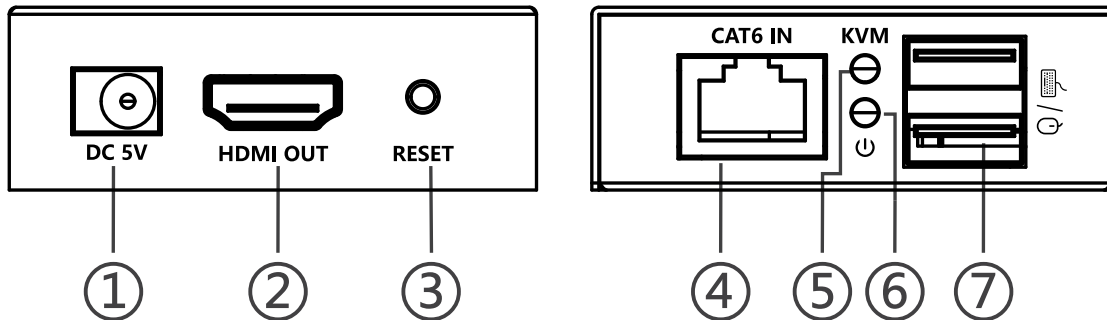
## Description Panel:

### 1. Transmitter (TX)



①	DC 5V	Connect with 5V/1A power adapter
②	HDMI Input	Connect with HDMI source device
③	Reset Button	Press the button to restart the device
④	RJ45 Output	Connect with CAT6/6A/7 network cable
⑤	KVM Indicator	a) Light off: the USB port and the computer have not established a connection b) Steady on: the USB port is connected to the computer, but no KVM data is transmitted c) Light flash: the KVM data is transmitting
⑥	Power Indicator	a) Light flash: it is powered on, but no video data is transmitted b) Steady on: the video data is transmitting
⑦	USB-A Port	Connect to the computer with USB cable

## 2. Receiver (RX)



①	DC5V	Connect with 5V/1A power adapter
②	HDMI Output	Connect with HDMI display device
③	Reset Button	Press the button to restart the device
④	RJ45 Input	Connect with CAT6/6A/7 network cable
⑤	KVM Indicator	a) Light off: the USB port and the computer have not established a connection b) Steady on: the USB port is connected to the computer, but no KVM data is transmitted c) Light flash: the KVM data is transmitting
⑥	Power Indicator	a) Light flash: it is powered on, but no video data is transmitted b) Steady on: the video data is transmitting
⑦	USB-A Port	Connect to the mouse and keyboard

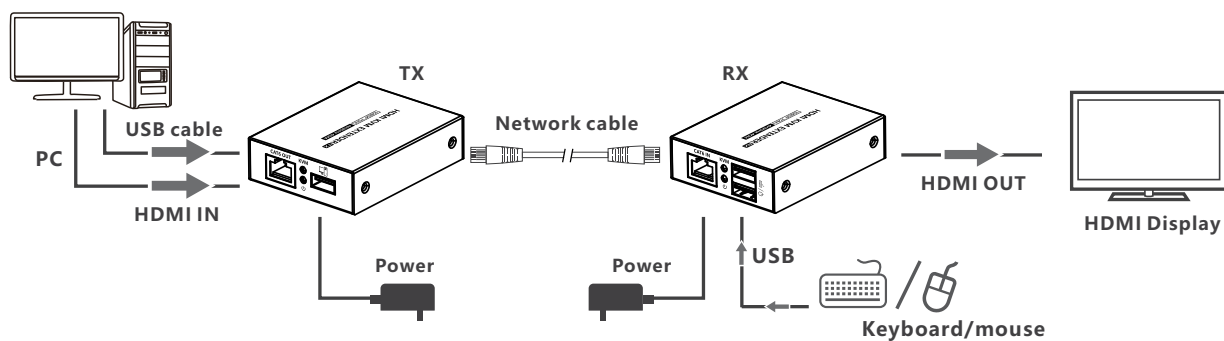
## wire:

1. The network cable should follow the standard of IEEE-568B. It is recommended to select a network cable with less loss and crosstalk.

- |                |              |               |
|----------------|--------------|---------------|
| 1-Orange/white | 2-Orange     | 3-Green/white |
| 4-Blue         | 5-Blue/white | 6-Green       |
| 7-Brown/white  | 8-Brown      |               |



## 2. Connection



## 3. Connection instruction

- 1) Connect the HDMI port of the source device to the HDMI IN port of the transmitter via an HDMI cable.
- 2) Connect the CAT6 OUT port of the transmitter and the CAT6 IN port of the receiver via a network cable.
- 3) Connect the HDMI port of the display device to the HDMI OUT port of the receiver via an HDMI cable.
- 4) Use the USB cable to connect the computer to the transmitter, and connect the mouse and keyboard to the USB port of the receiver.
- 5) Plug the power into the devices to get started.